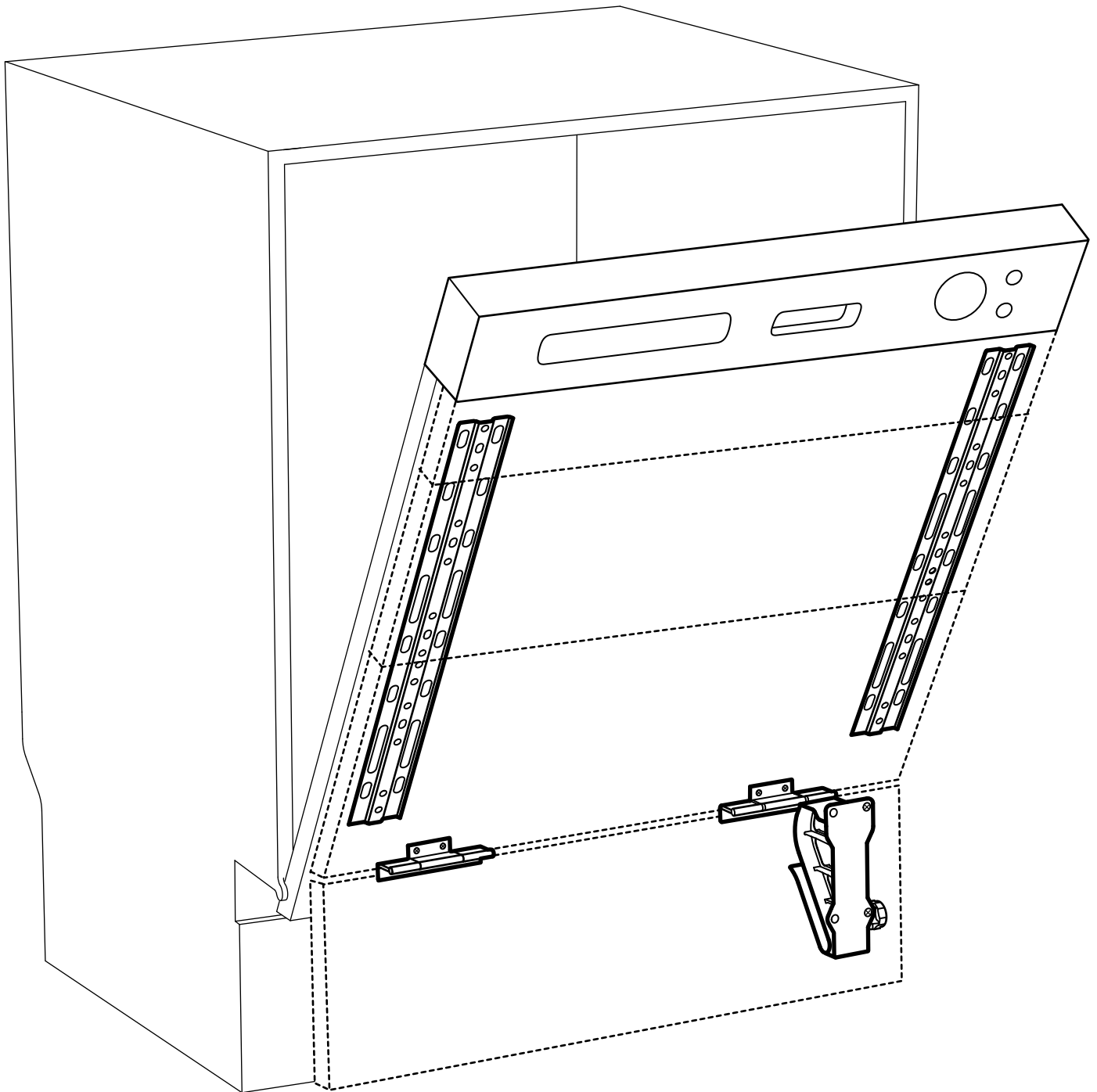
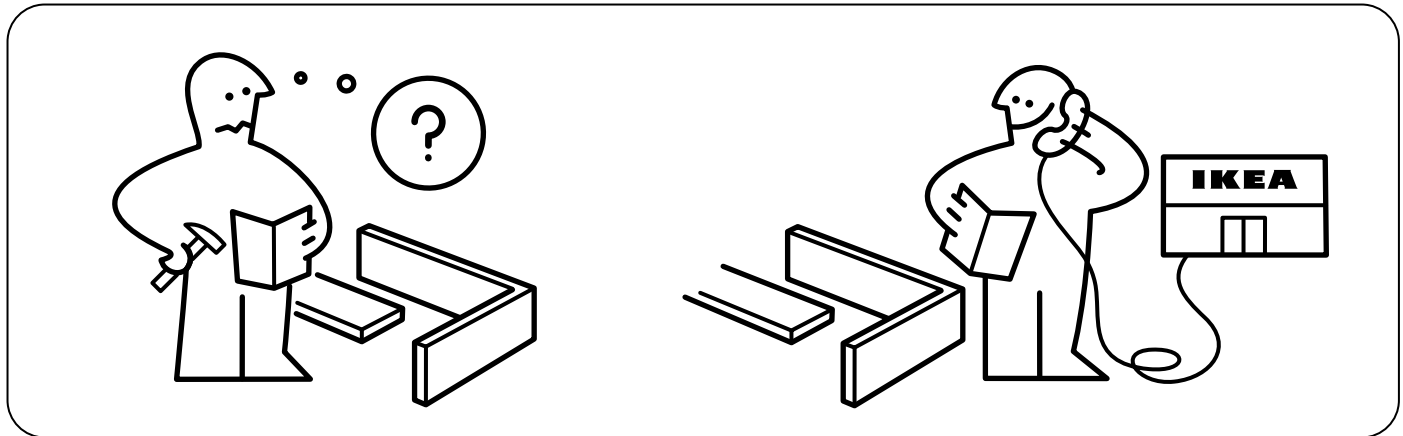
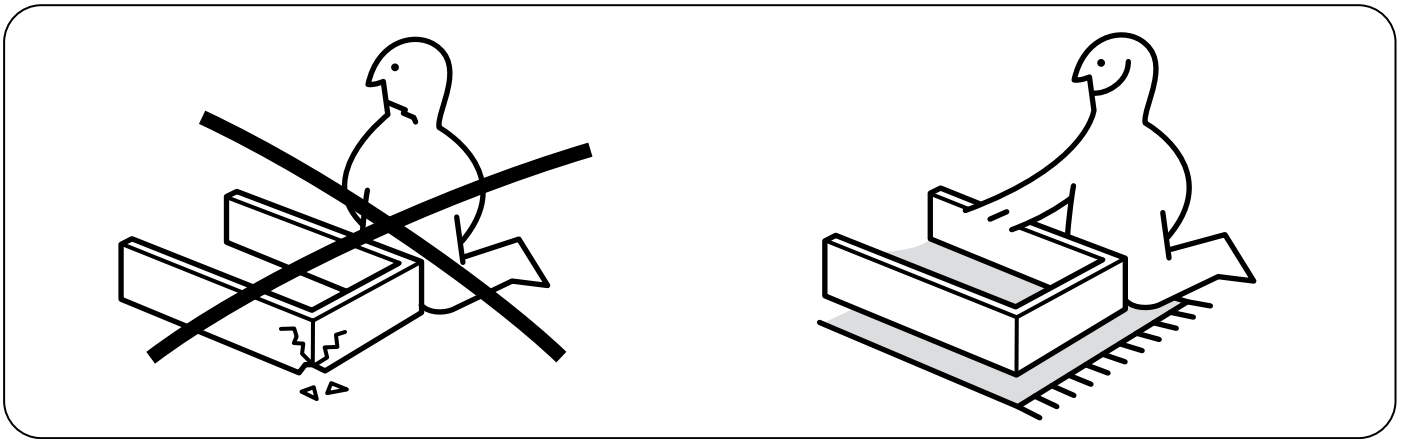
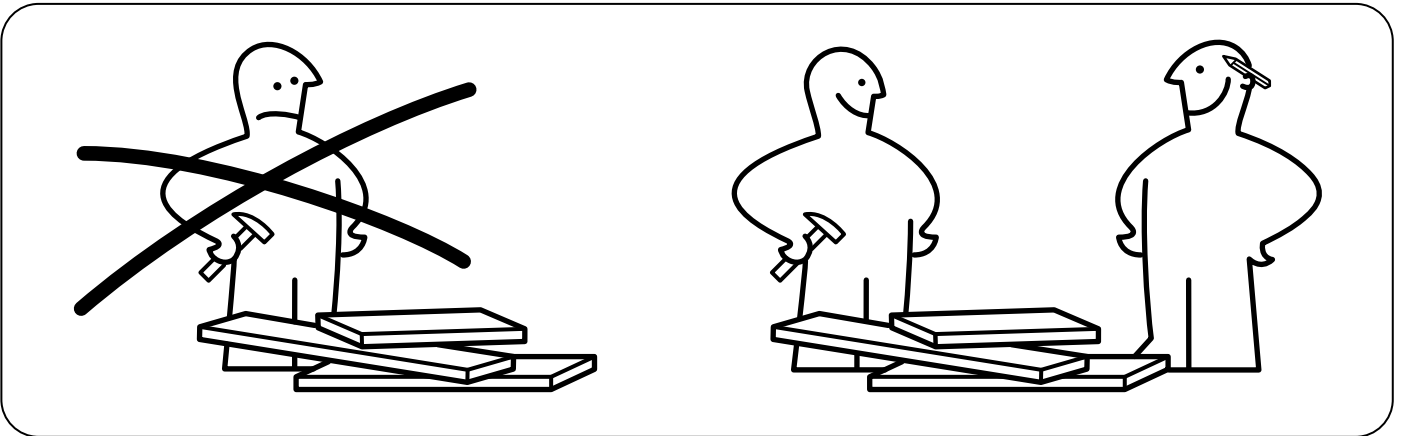
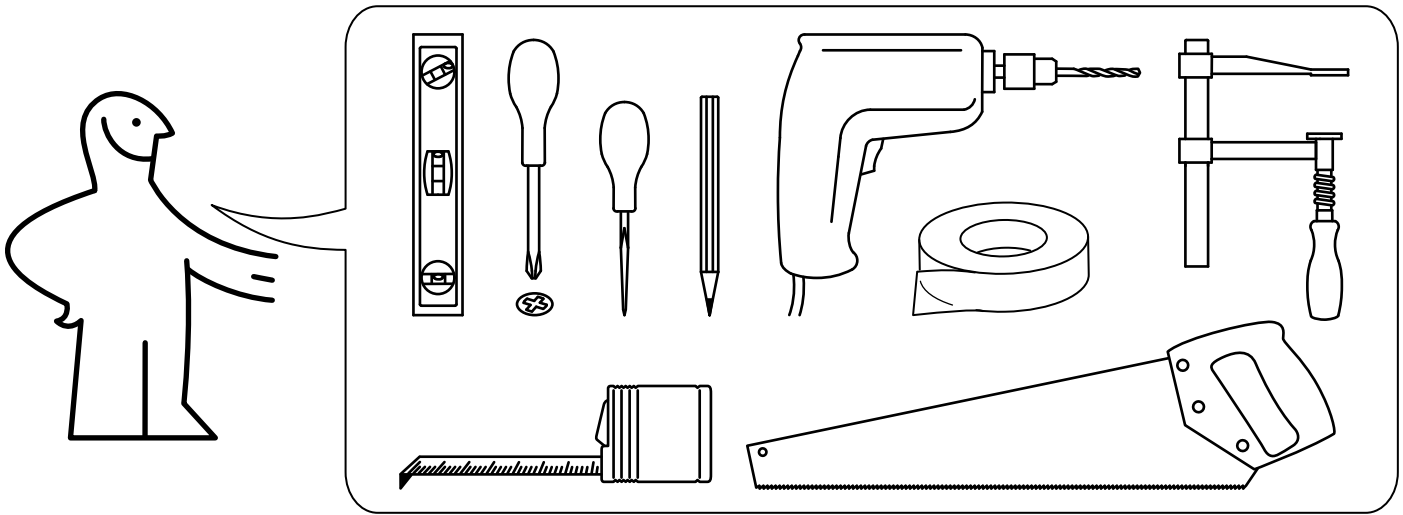


ERSÄTTARE

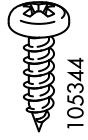


Design and Quality
IKEA of Sweden

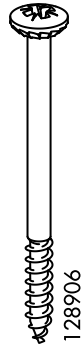




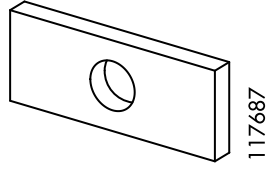
22x



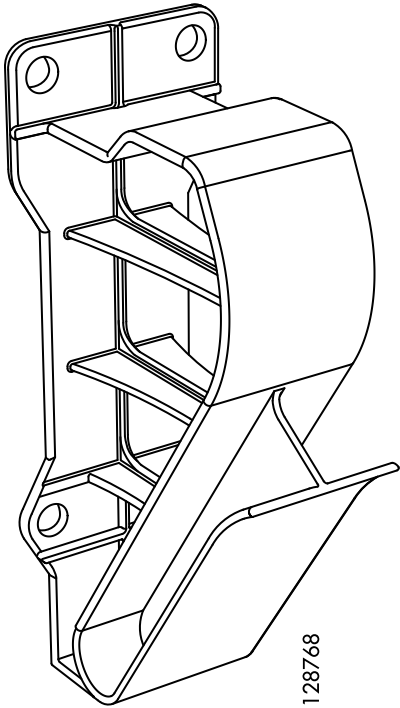
11x



4x

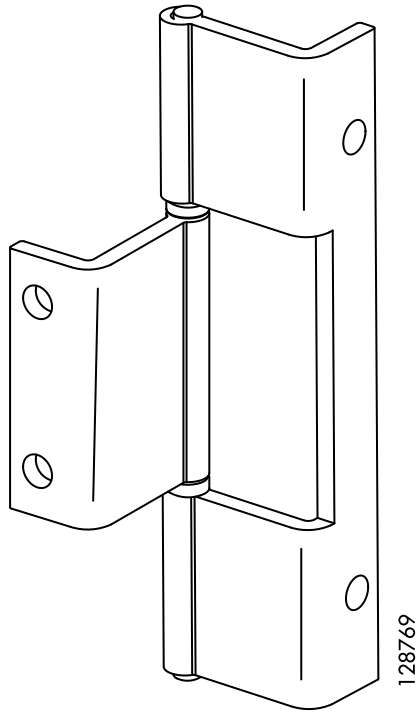


2x



1x

128768

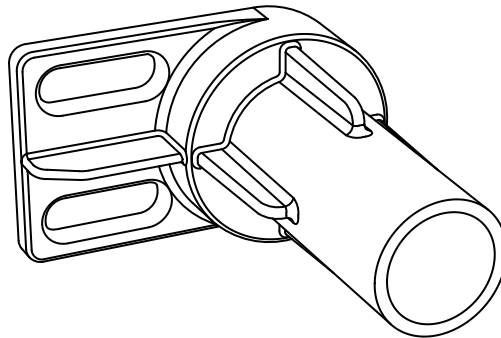


2x

128769

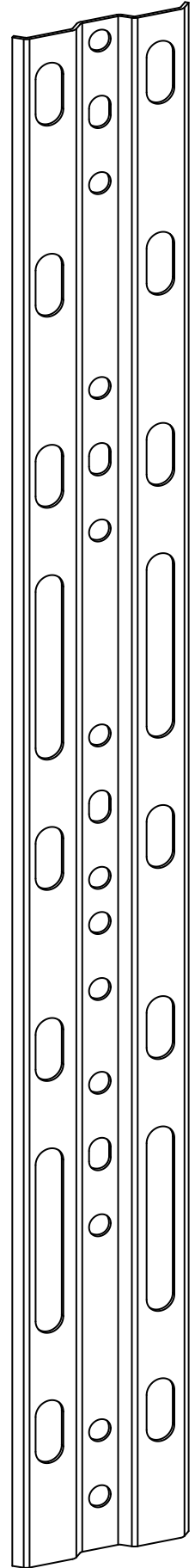


AA-764688



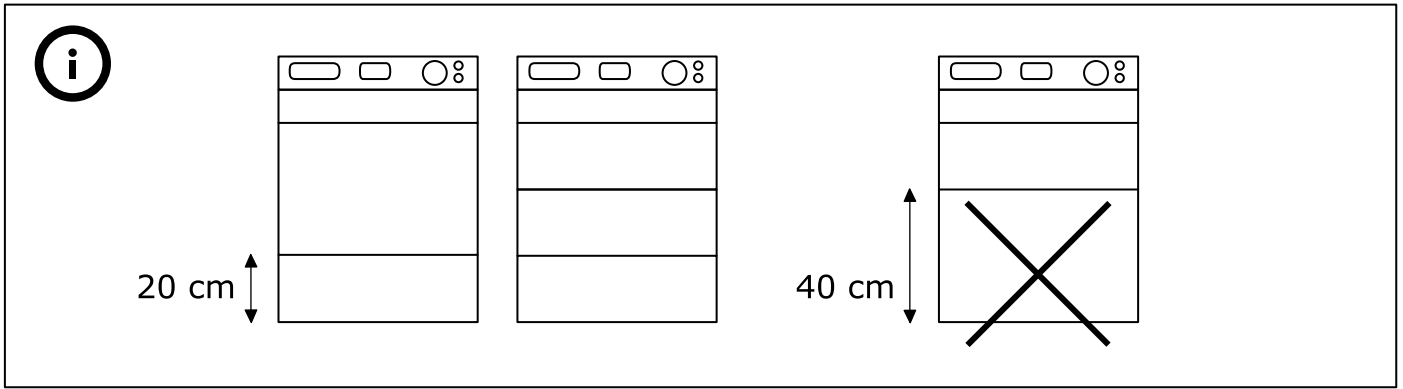
1x

128767

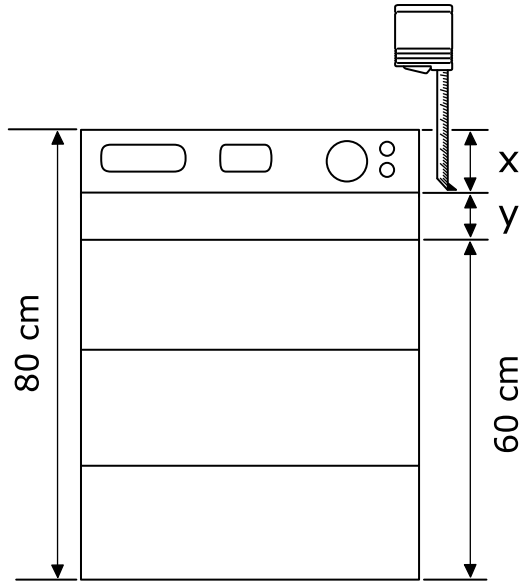


2x

128770



1

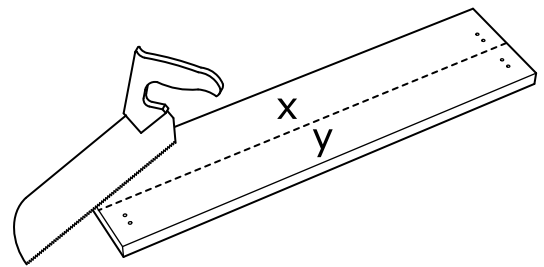
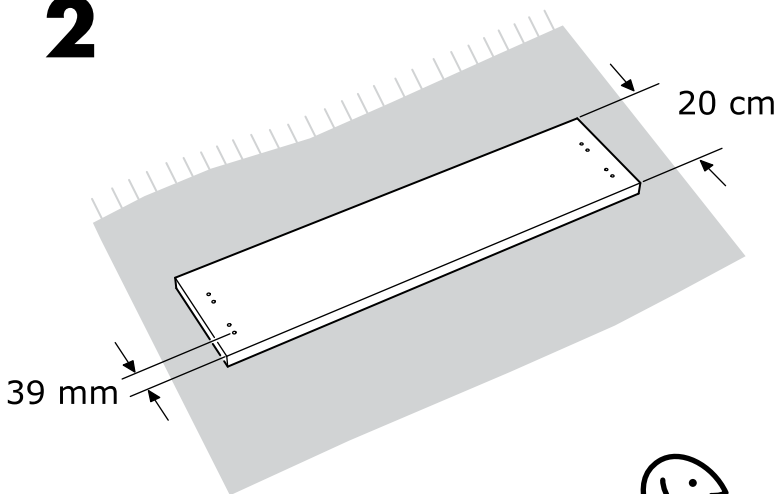


$$x = \text{_____ cm}$$

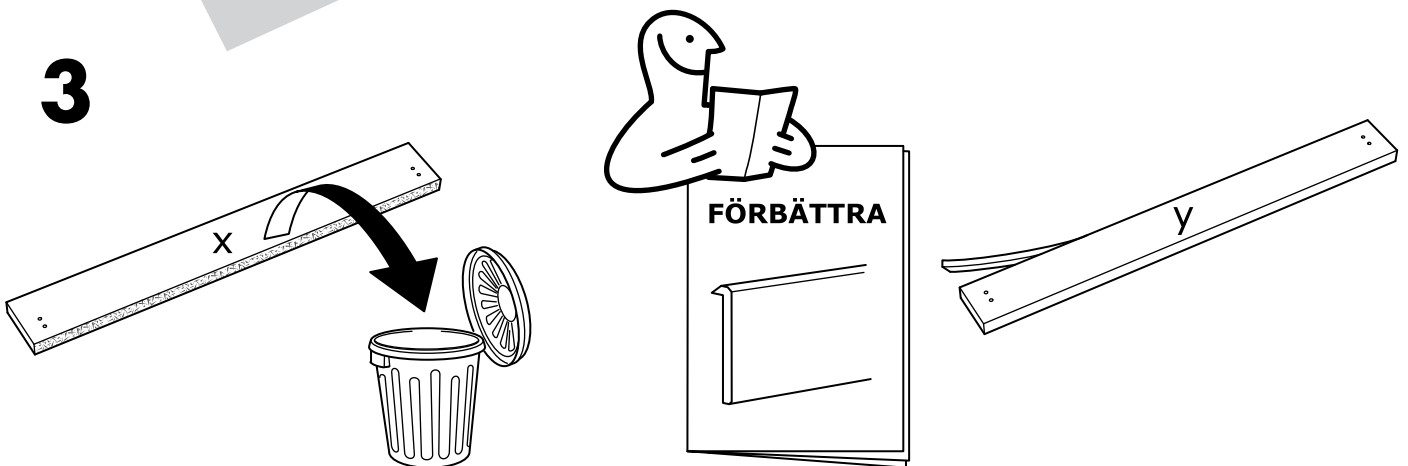
$$y = 80 - 60 - x$$

$$y = \text{_____ cm}$$

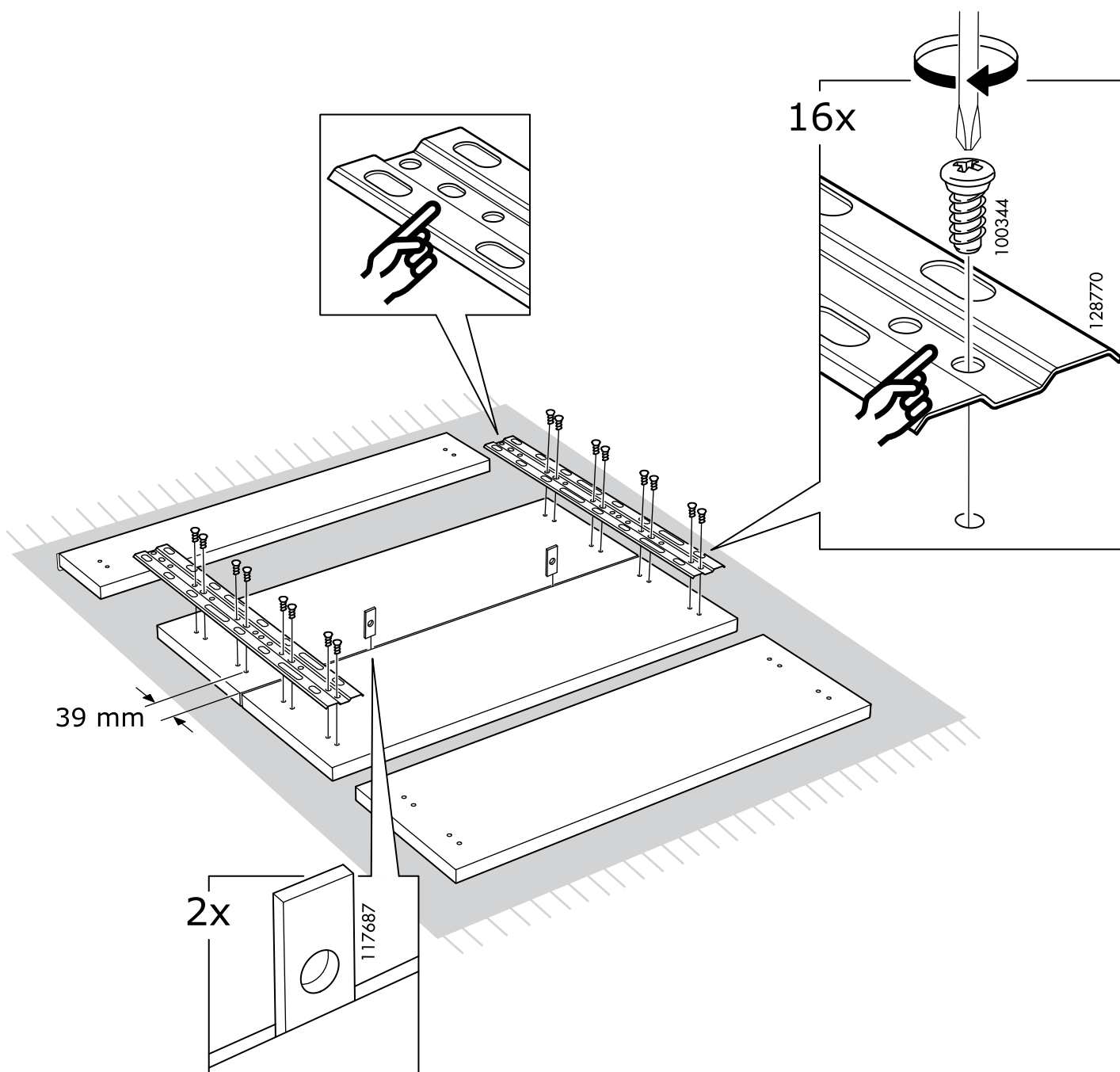
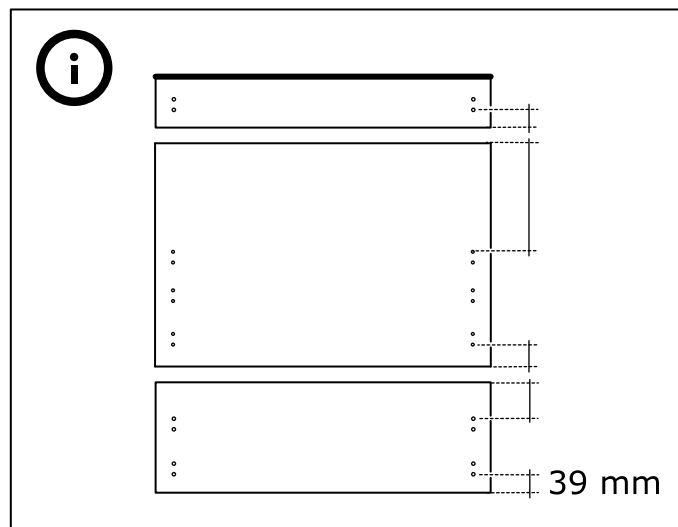
2



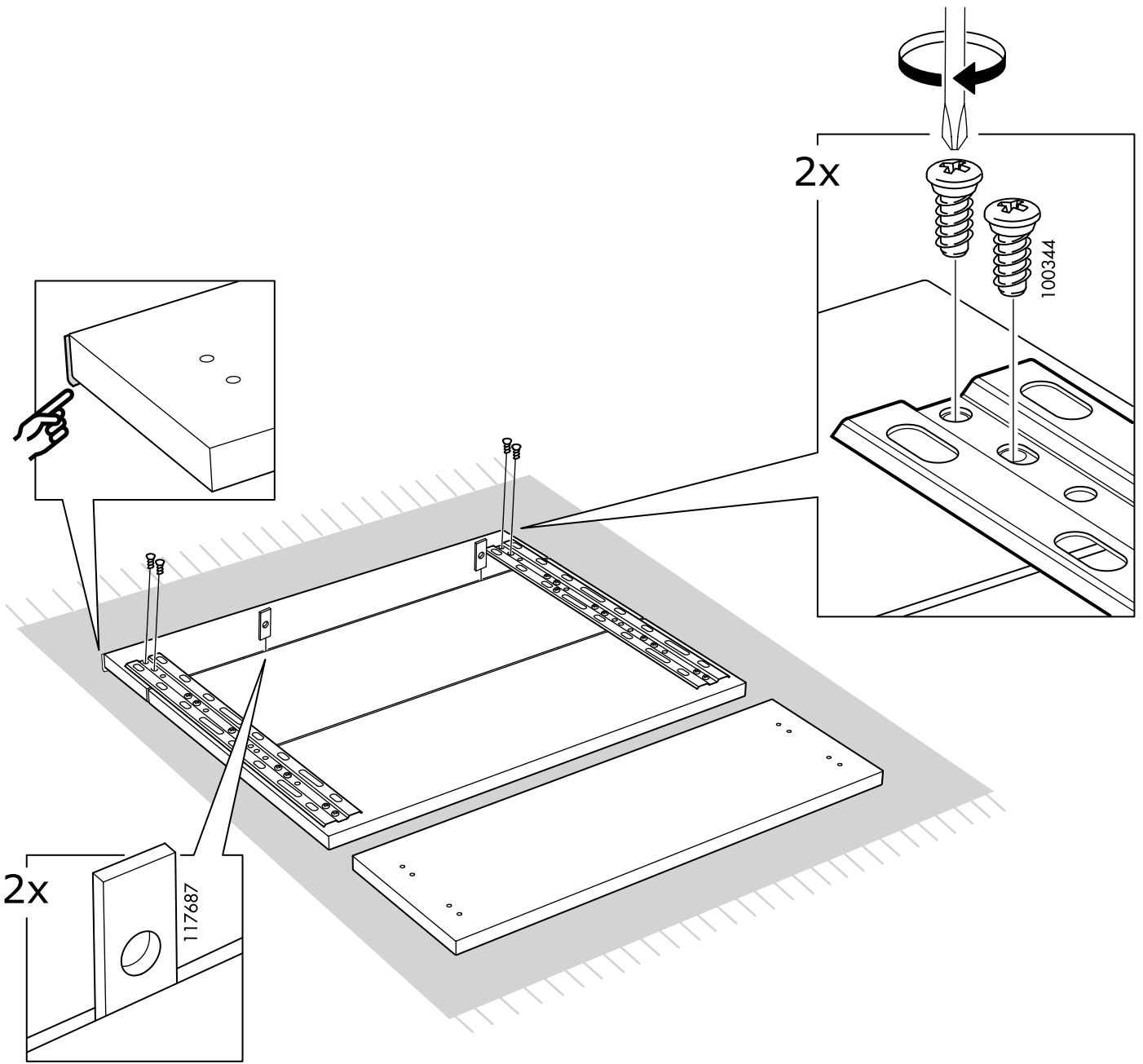
3



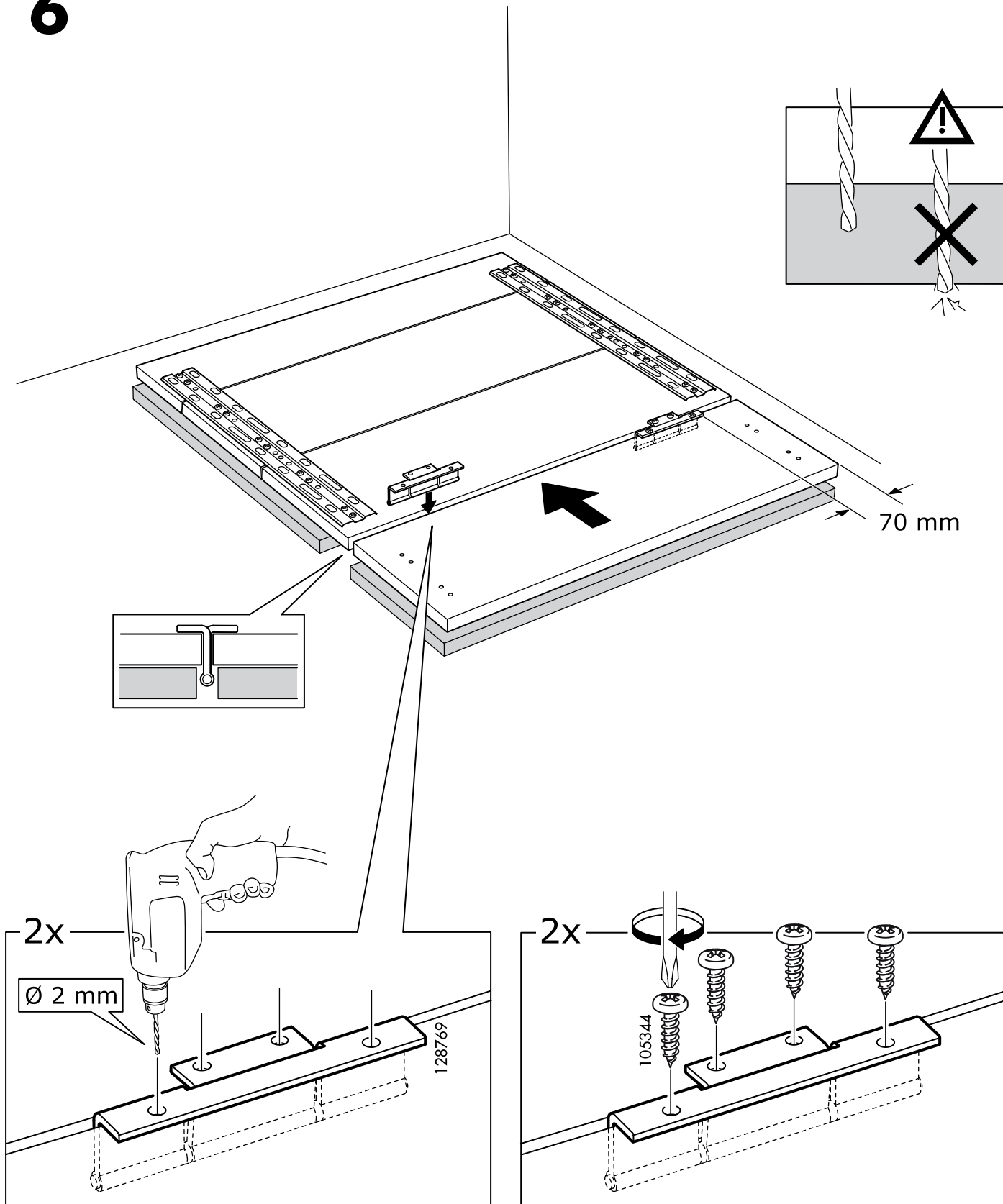
4



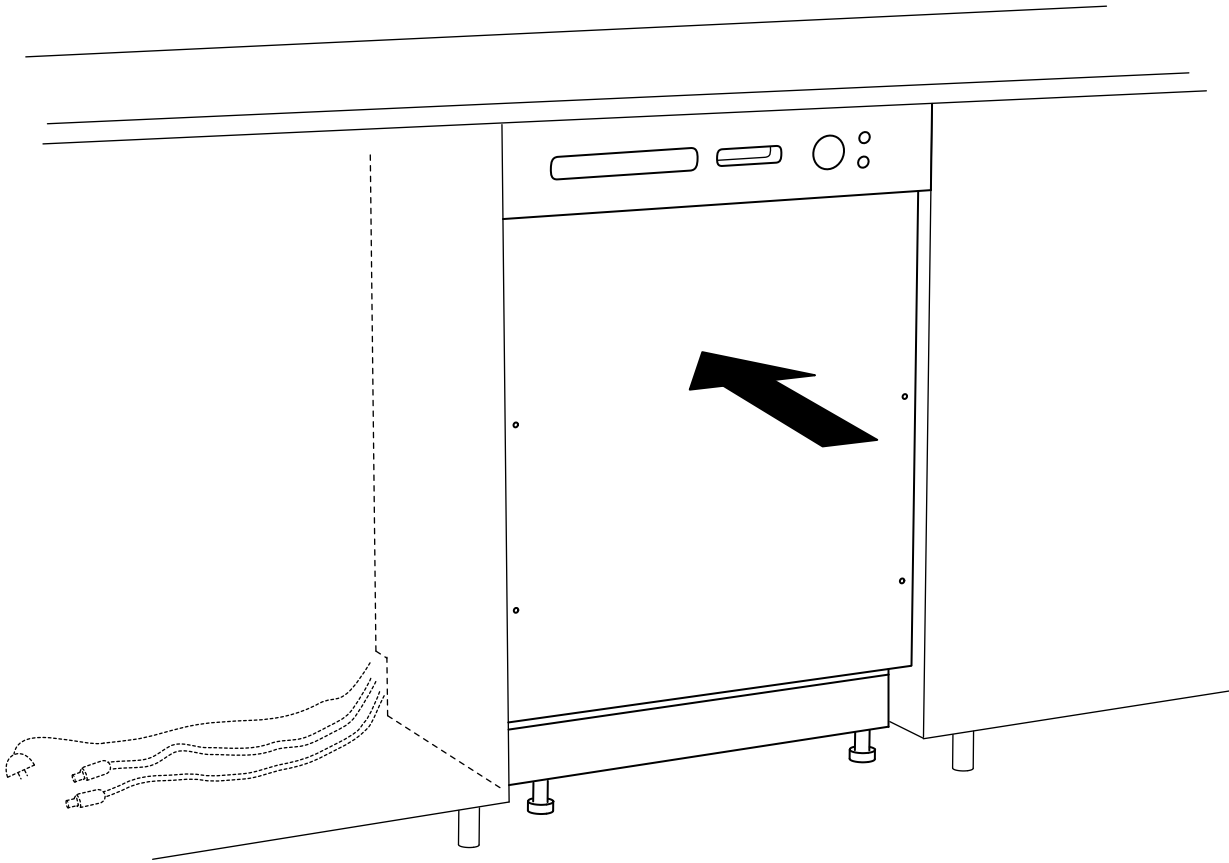
5



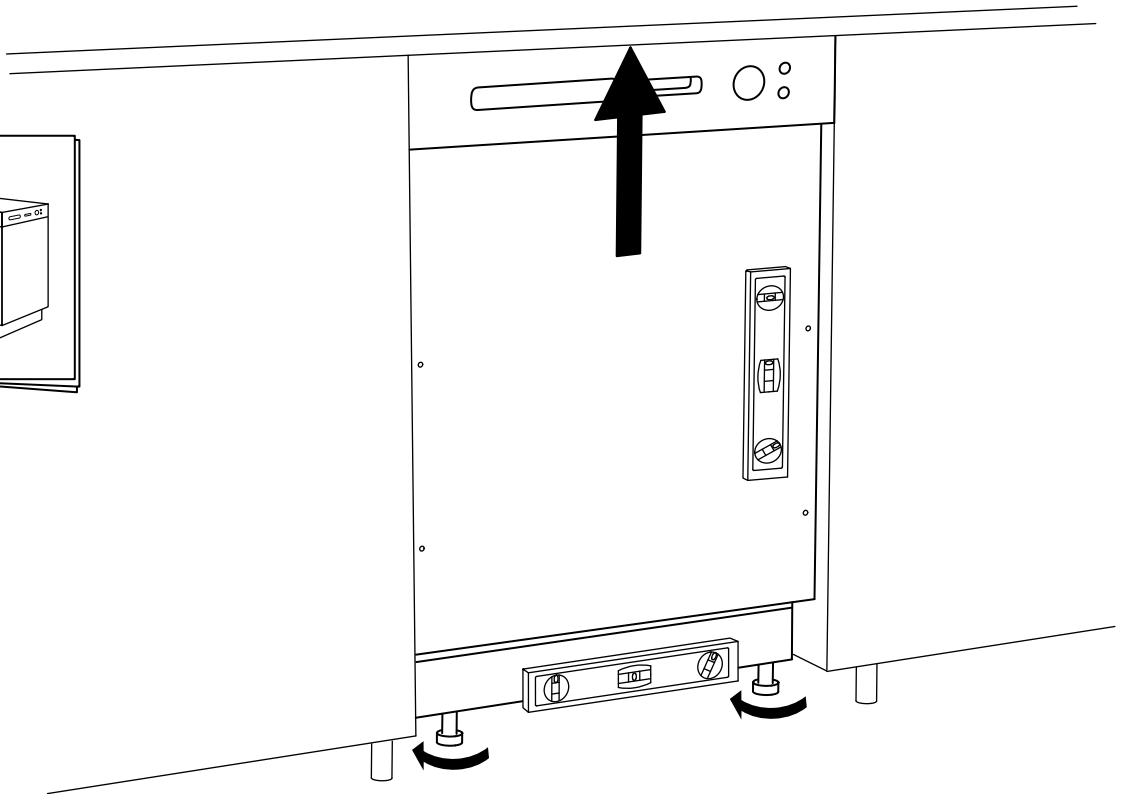
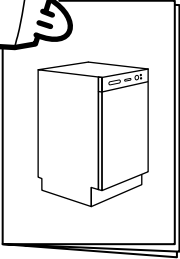
6



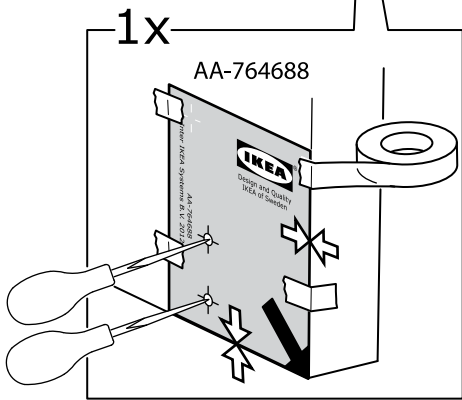
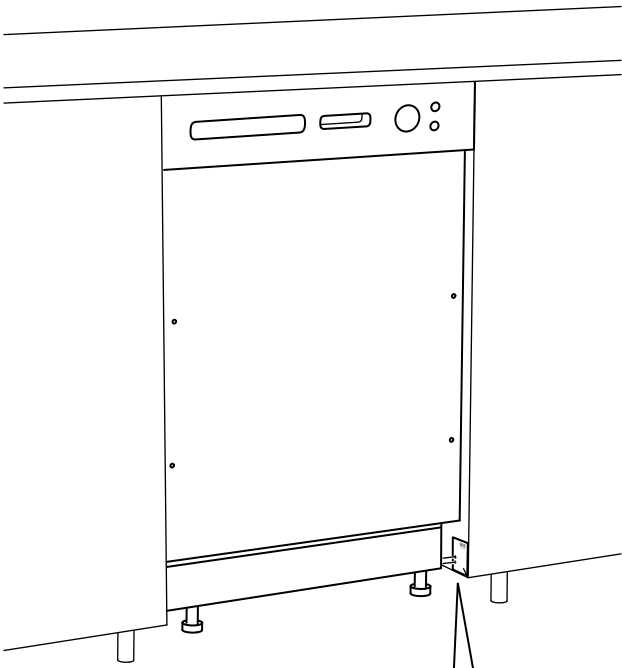
7



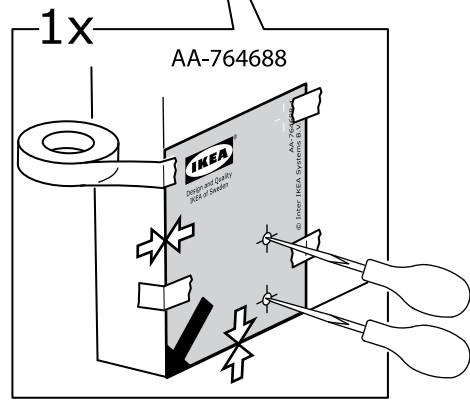
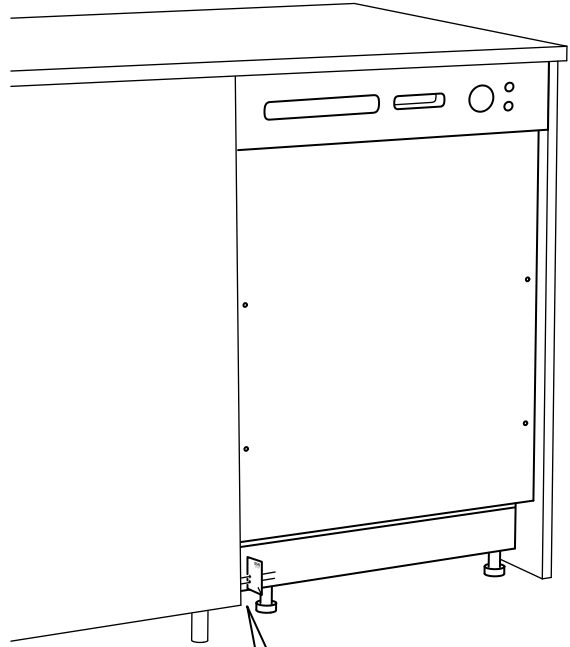
8



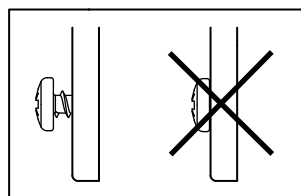
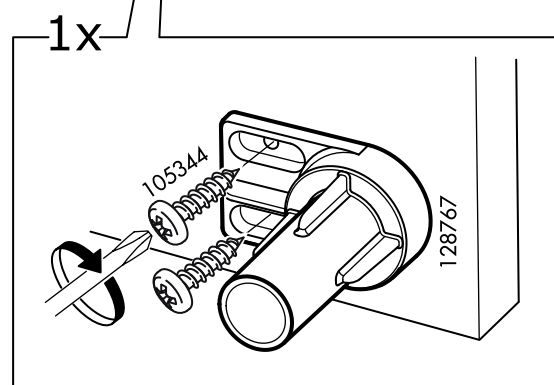
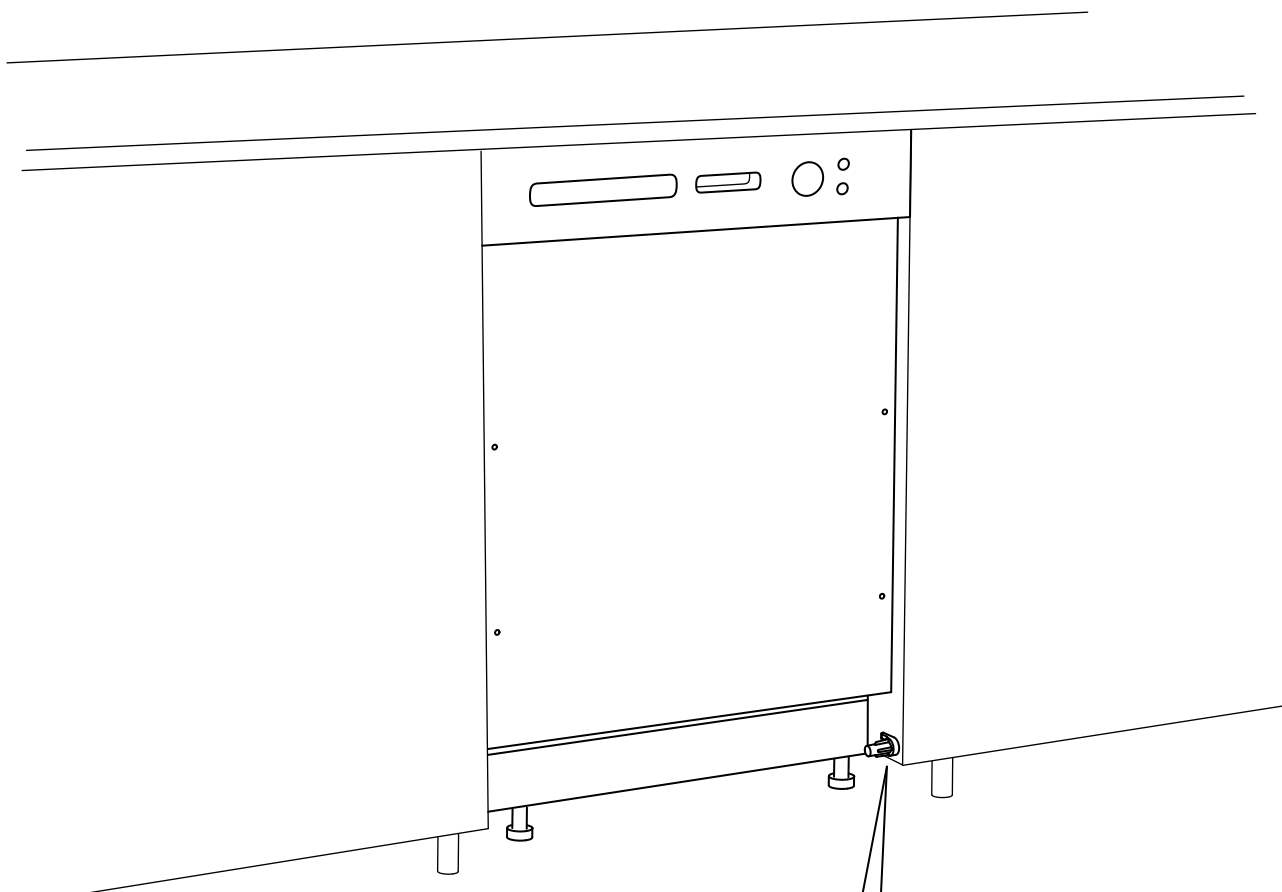
9

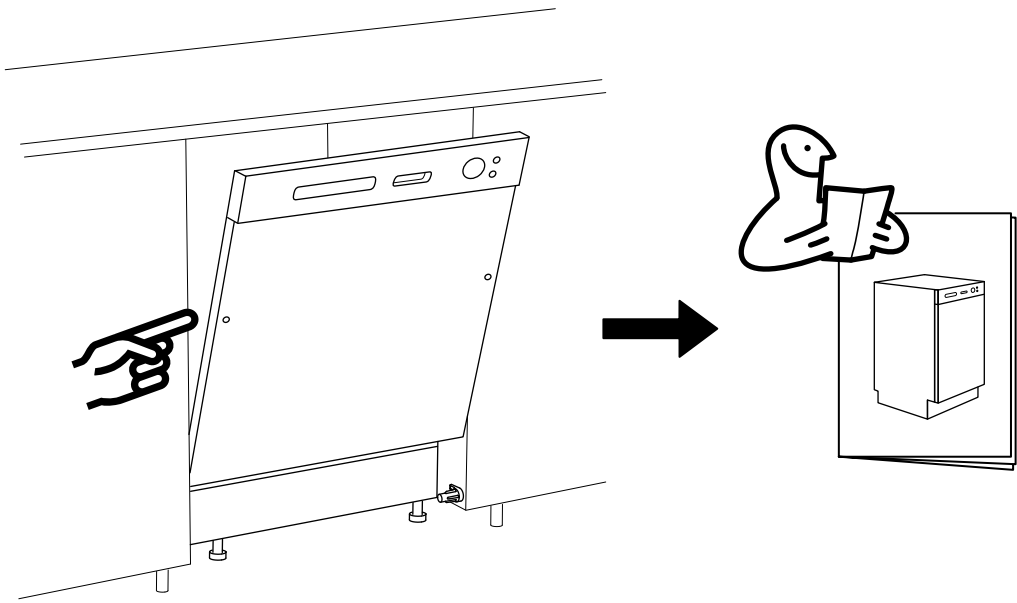
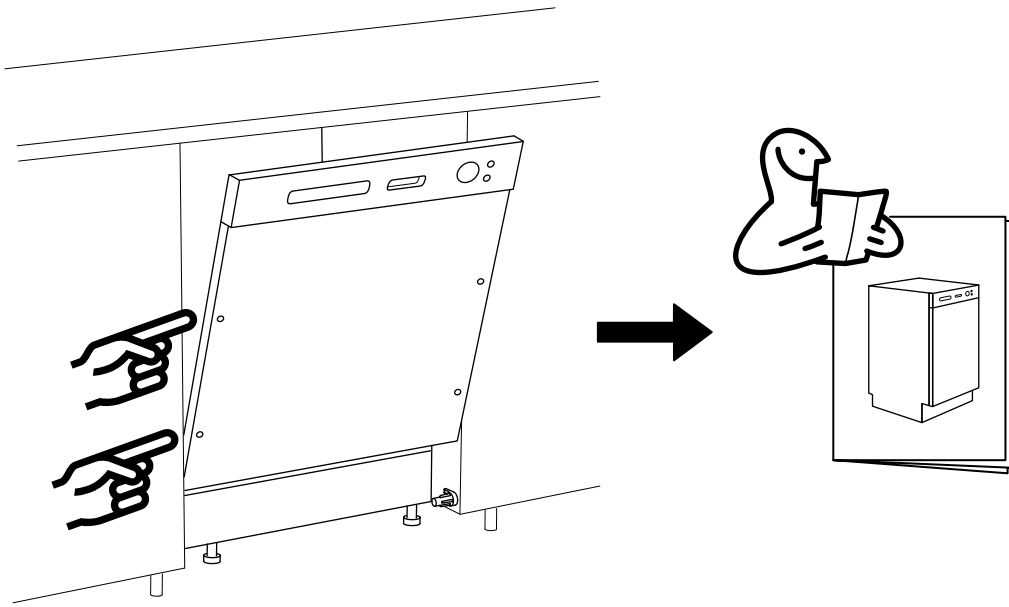


9

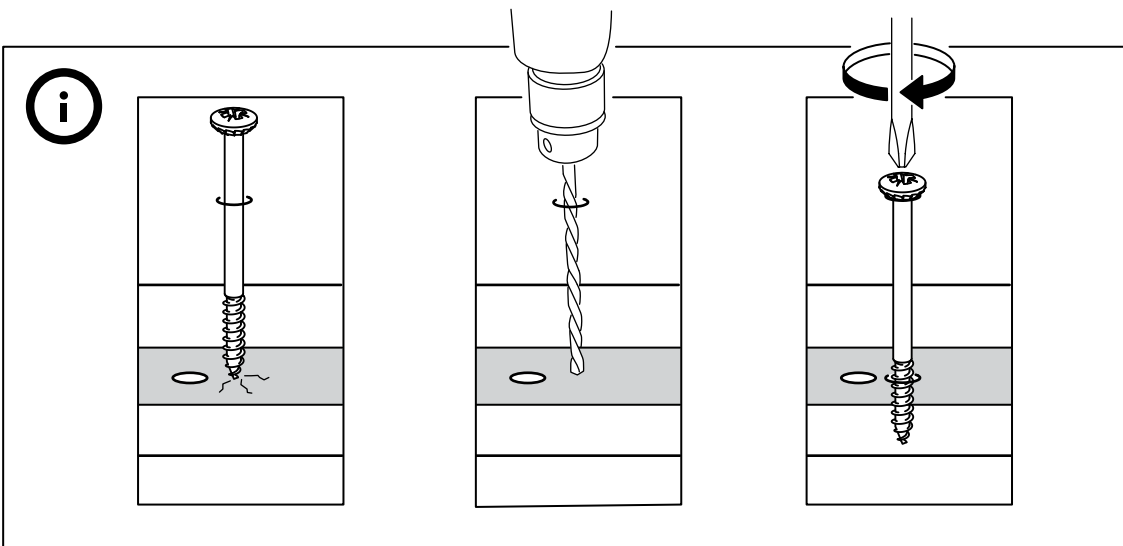
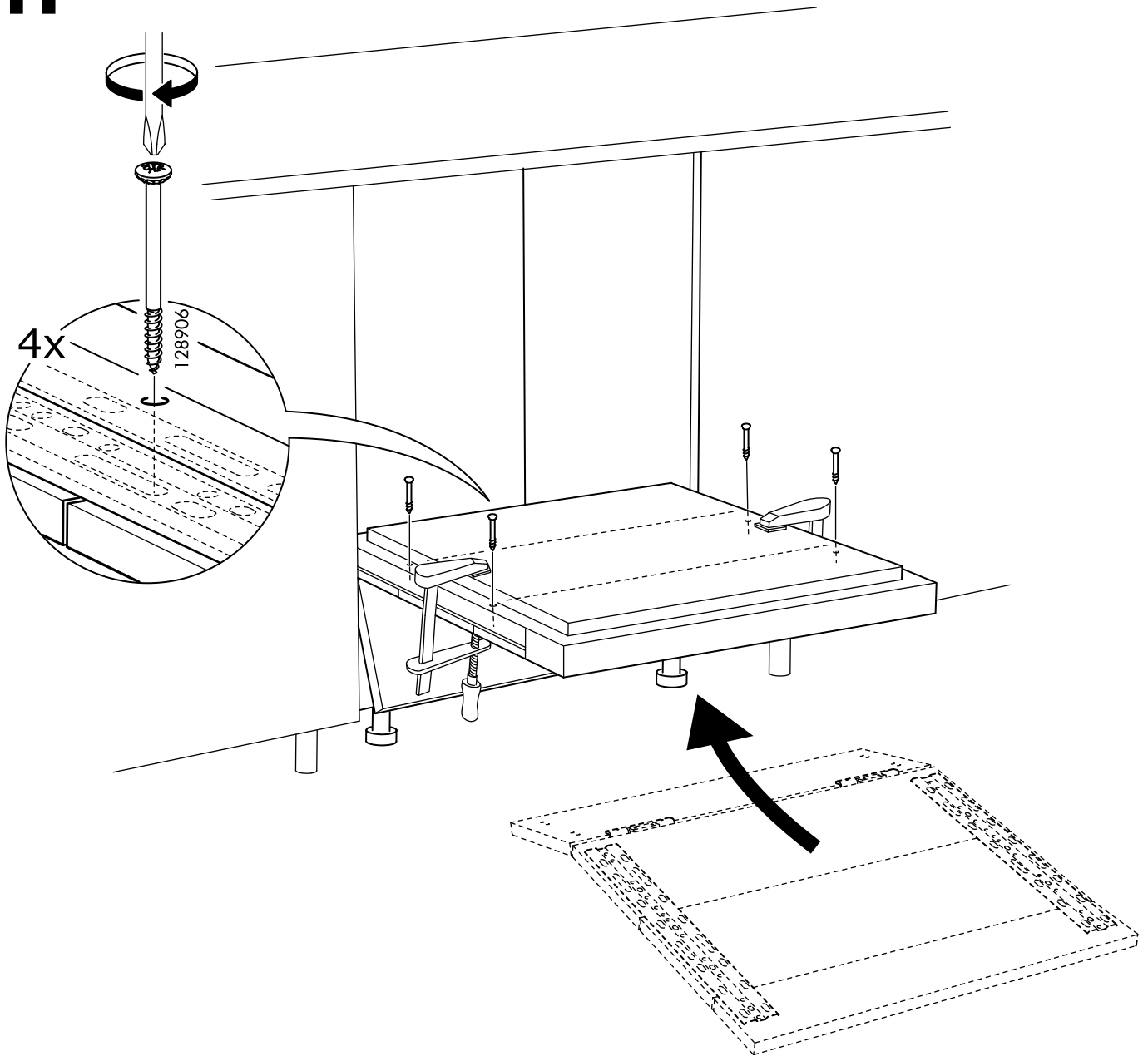


10

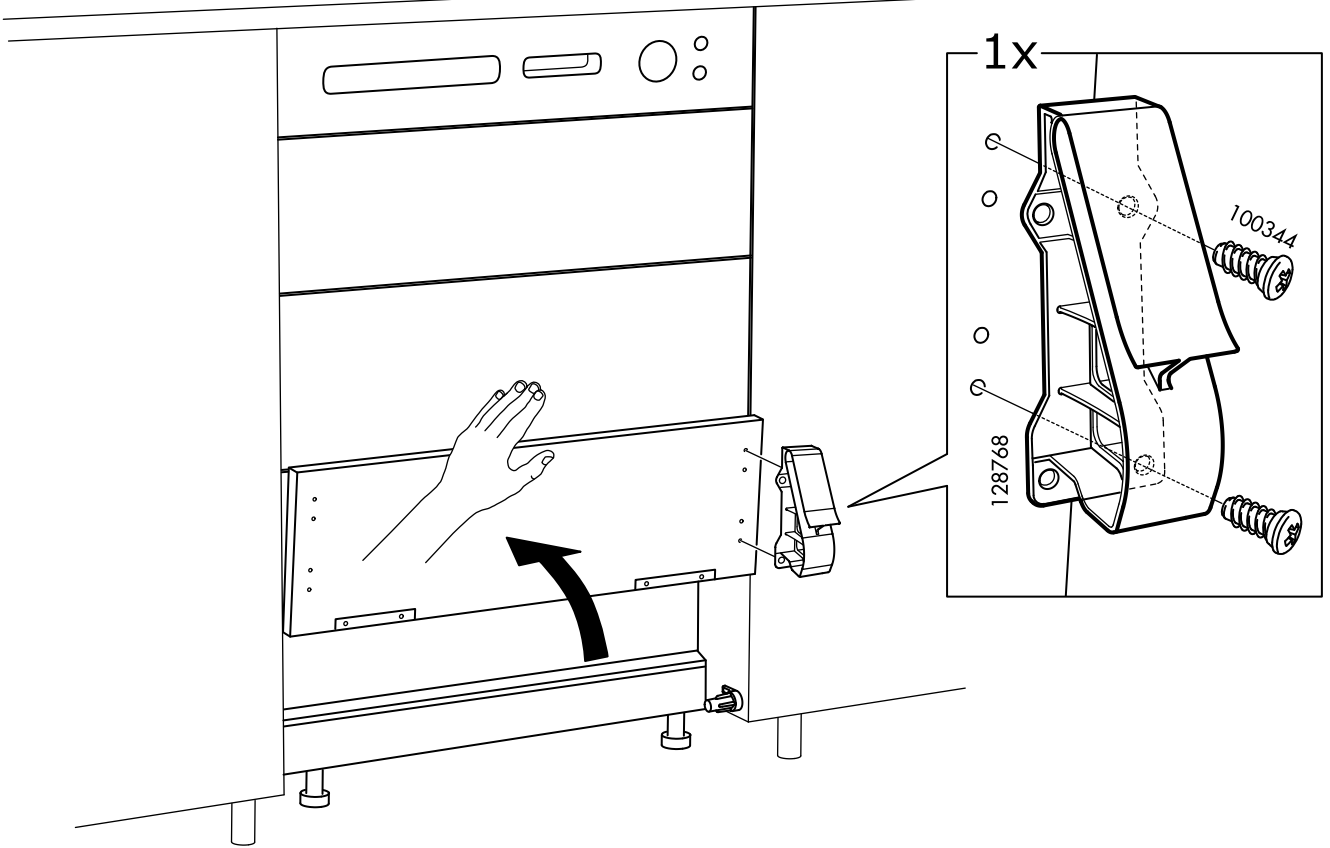




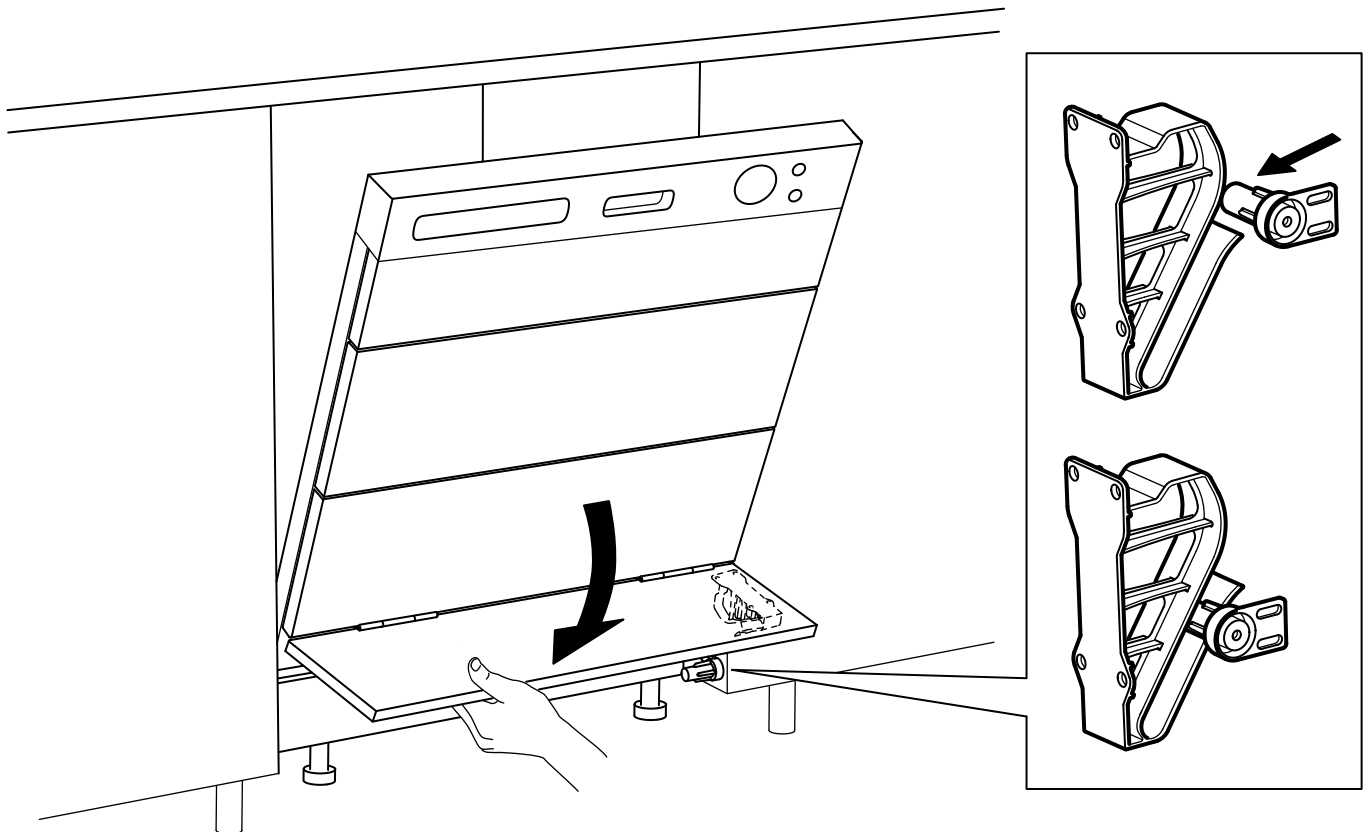
11

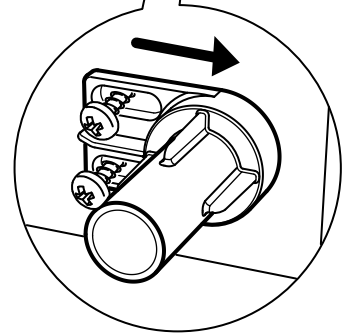
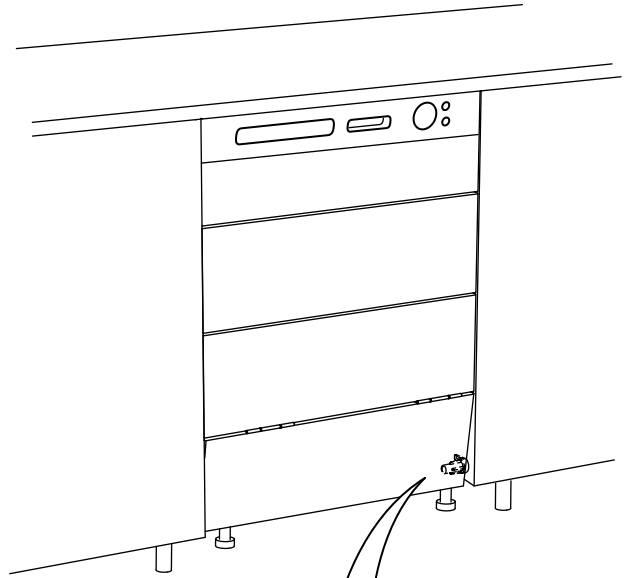
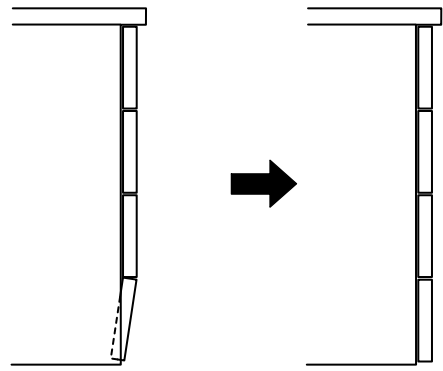
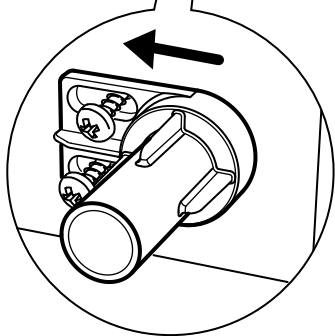
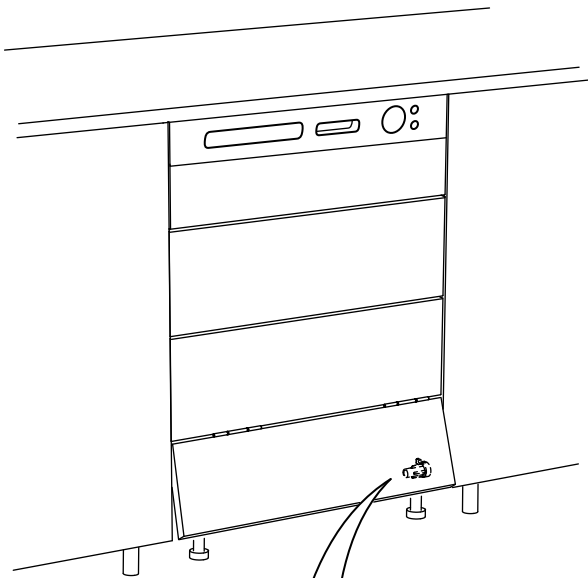
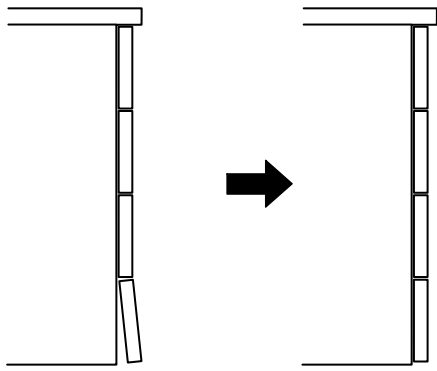


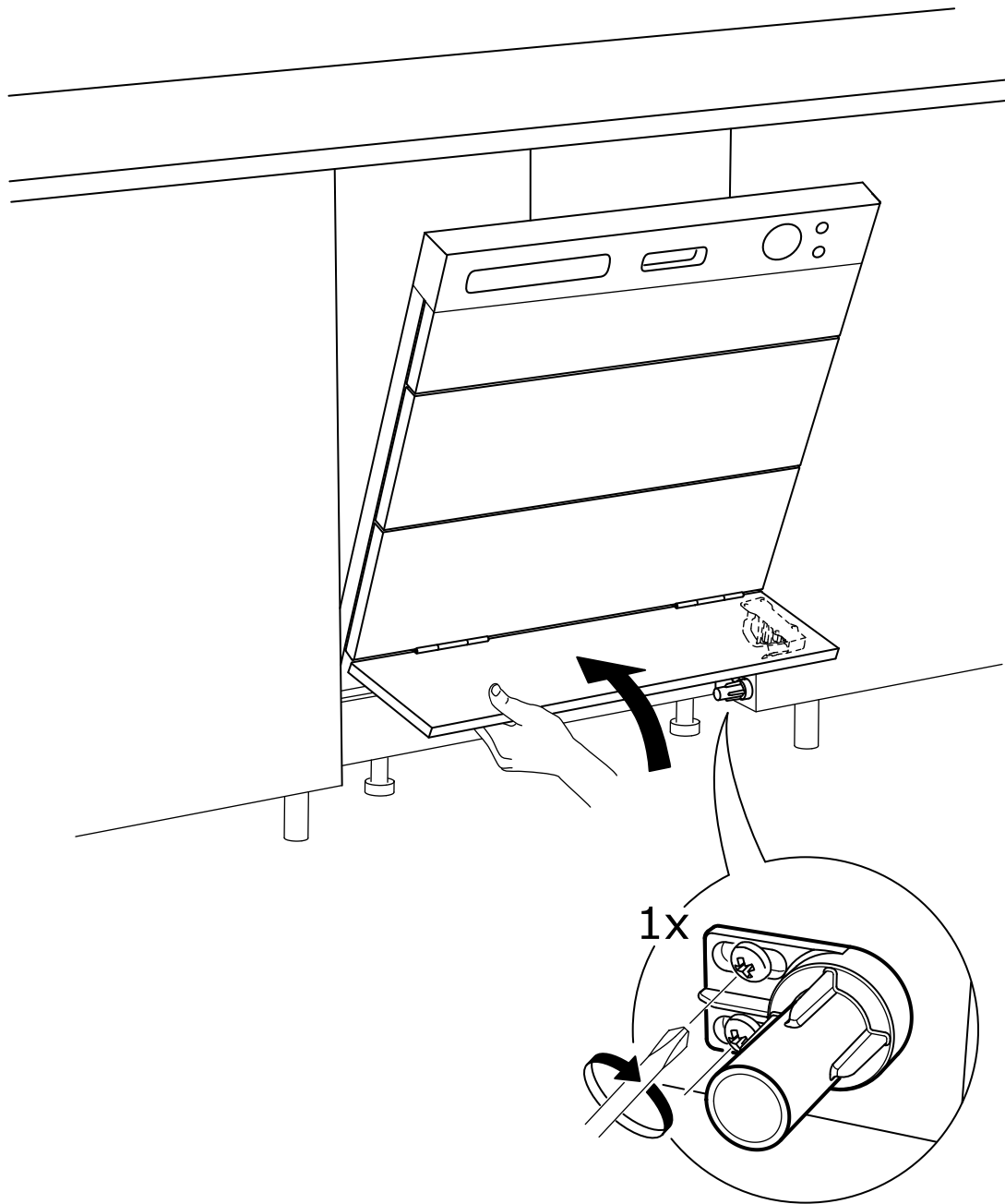
12



13







15

